

Schall-Ex® Slide M-12 SLA

DETAILS

Articlenumber	1-809
Function	sliding door
Türenmaterial	timber
Application	interior door
Usage	sound protection, smoke protection, fire protection, accessibility

TECHNICAL DATA

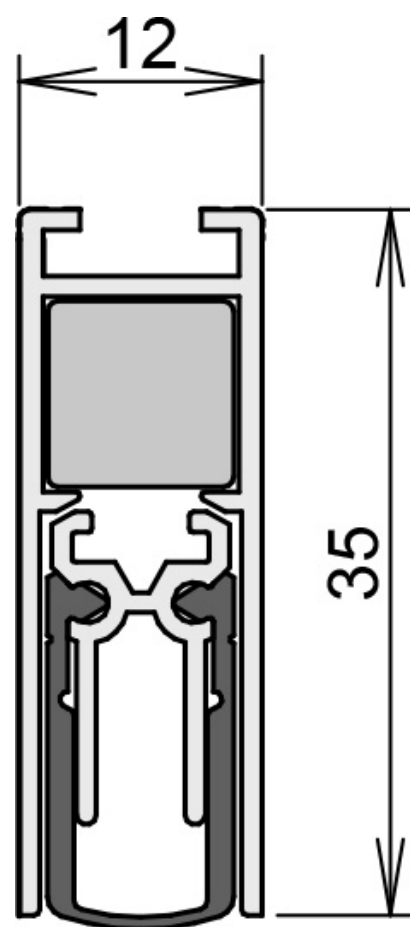
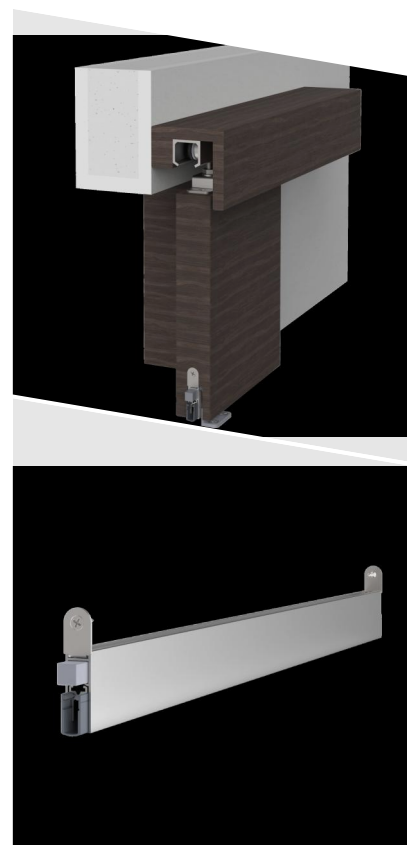
Width	12 mm
Height	35 mm
Min. delivery length	280 mm
Max. delivery length	1958 mm
Standard length	708, 833, 958, 1083, 1208 mm
max. travel	11 mm
Actuation	single-sided
Actuator	slide actuator
Outerprofile	aluminium
Surface	plate finish
Sealingprofile	silicone, self-extinguishing

FITTING

Fixing	WS - fixing brackets
--------	----------------------

EXAMINATIONS AND CERTIFICATES

Permanent function 200k	yes
Barrier free	yes
EPD	yes



Schall-Ex® Slide M-12 SLA

