

Schall-Ex® Slide M-12 WS ZA-L

DETAILS

| | |
|---------------|--|
| Articlenumber | 1-844 |
| Function | sliding door |
| Türenmaterial | timber |
| Application | interior door |
| Usage | sound protection, smoke protection, fire protection, accessibility |

TECHNICAL DATA

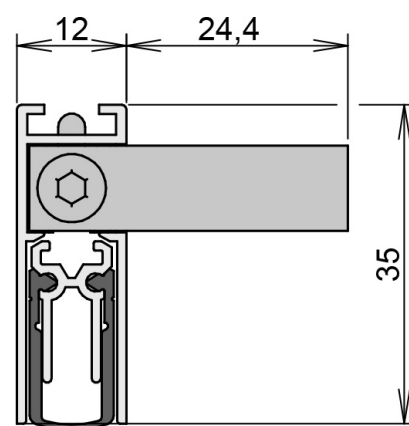
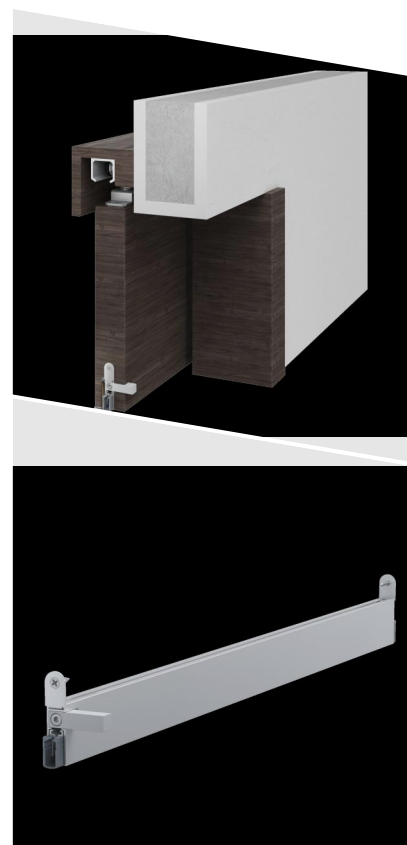
| | |
|----------------------|------------------------------|
| Width | 12 mm |
| Height | 35 mm |
| Min. delivery length | 450 mm |
| Max. delivery length | 1605 mm |
| Standard length | 708, 833, 958, 1083, 1208 mm |
| max. travel | 11 mm |
| Actuation | single-sided |
| Actuator | move actuator |
| Outerprofile | aluminium |
| Surface | plate finish |
| Sealingprofile | silicone, self-extinguishing |

FITTING

| | |
|--------|-------------------------------|
| Fixing | WS - fixing brackets DIN-L |
|--------|-------------------------------|

EXAMINATIONS AND CERTIFICATES

| | |
|-------------------------|-----|
| Permanent function 200k | yes |
| Barrier free | yes |
| EPD | yes |



Schall-Ex® Slide M-12 WS ZA-L

